

QWCA-75-N

WR-75 to N

Features:
* Low VSWR

Applications:
* Wireless
* Transmitter
* Laboratory Test
* Radar

Electrical

Frequency: 9.84~15GHz
VSWR: 1.2 max.

Mechanical

Coax Connectors: N
Waveguide Size: WR-75
Flange: FBP120
Material: Aluminium

How To Order

QWCA-75-X-Y

X: Connector type.
Y: End launch: E, Right angle: R.
E - End launch (Outline B)
R - Right angle (Outline A)

Connector naming rules:

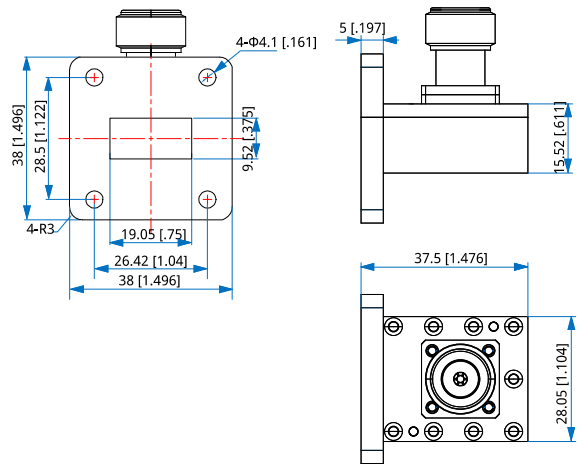
N - N Male (Outline A, Outline B)
NF - N Female (Outline A, Outline B)

Examples:

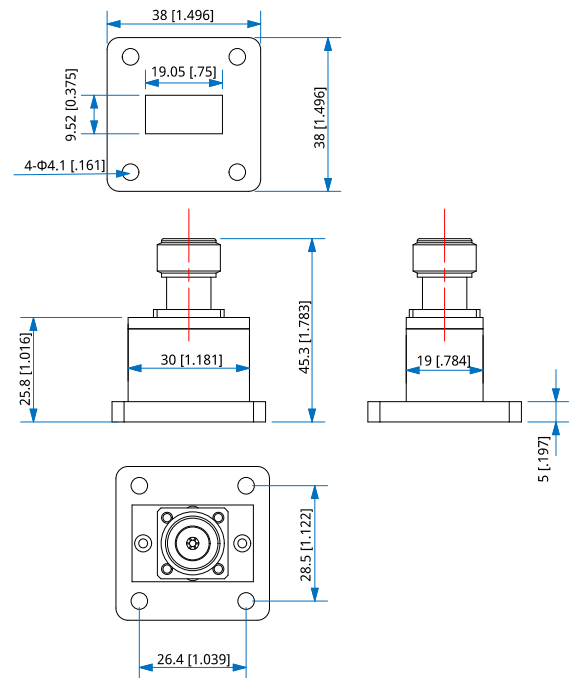
To order a waveguide to coax adapter, WR-75 to N female, right angle, specify QWCA-75-NF-R.

Customization is available upon request.

Outline Drawings



Outline A



Outline B

Unit: mm [in]

Tolerance: $\pm 0.2\text{mm}$ [$\pm 0.008\text{in}$]